



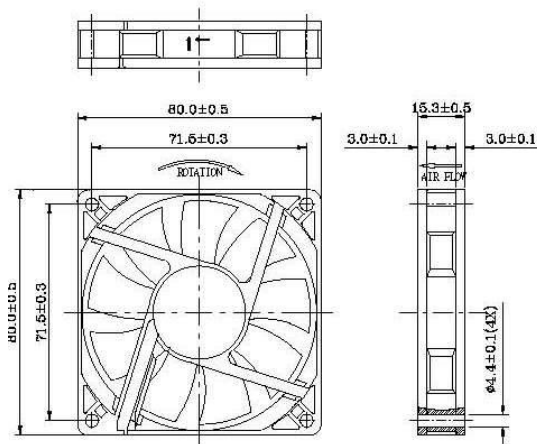
## DC fan – 80x80x15mm Series

### Technical options:

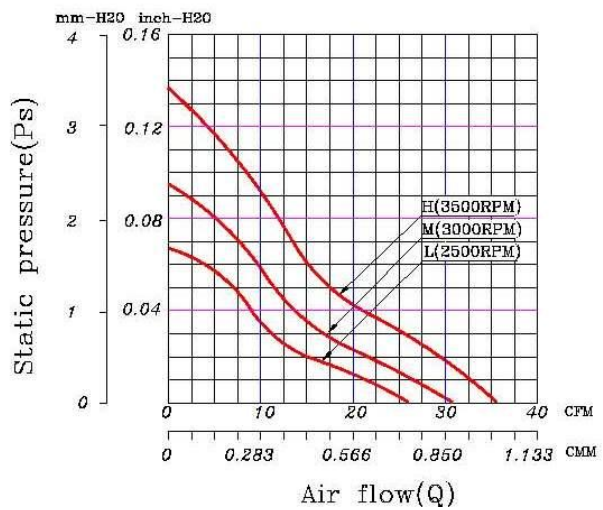
- Frequency generator (tachometer output)
- Temperature / speed control
- Locked wire, fan failure output
- Pulse width modulation
- IP coating / metric threaded inserts / connecting

### 80 x 80 x 15 mm Series

#### Dimensions



#### Performance Curves



\*All fans are with electronic protection against reverse polarity. The fan only operates when the polarity is correct.



<u>Brushless DC Motor</u>	<u>Bearing Types</u>
Housing: PBT 94V0	CeraDyna A ( partial ceramic )
Impeller: PBT 94V0	CeraDyna C ( full ceramic )
Weight: 60g	Ball bearing
Impedance protected	Sleeve
Lead wire UL 1007 AWG	1 Ball – 1 Sleeve

Specifications:

Model	Rated Voltage (VDC)	Rated Current (Amp)	Input Power (Watts)	Nominal Speed (RPM)	Airflow (CFM)	Static Pressure (inch-H2O)	Noise Level (dBA)
FD1280-A10XXC	12	0.21	2.76	3500	35.77	0.13	35.5
FD1280-A20XXC	12	0.17	2.04	3000	31.25	0.09	32
FD1280-A30XXC	12	0.11	1.32	2500	25.96	0.06	26.5

**How to read the DC Fan part number**

ACT-RX Technology Corporation

<b>FD</b>	<b>05</b>	<b>25</b>	<b>-</b>	<b>A</b>	<b>1</b>	<b>0</b>	<b>1</b>	<b>1</b>	<b>A</b>
<b>Model</b> FD: DC Fan FW: DC Blower FH: High Performance DC Fan	<b>Voltage</b> 05: 5VDC 12: 12VDC 24: 24VDC 48: 48VDC	<b>Frame Dimension</b> 25: 25x25 mm 30: 30x30 mm 35: 35x35 mm 40: 40x40 mm 45: 45x45 mm 50: 50x50 mm or 51x51 mm 60: 60x60 mm 70: 70x70 mm 75: 75x75 mm 80: 80x80 mm 90: 92x92 mm 12: 120x120 mm 13: 127x127 mm		<b>Bearing</b> A: CeraDyna A C: CeraDyna C B: 1-Ball-1-Sleeve D: 2-Ball S: Sleeve	<b>Fan Speed</b> 0: Super High 1: High 2: Medium 3: Low 4: Super Low P: PWM L: With LED T: TC	<b>Fan Revision</b> 0: Rev. 1 1: Rev. 2 2: Rev. 3 3: Rev. 4 4: Rev. 5 5: Rev. 6 6: Rev. 7 7: Rev. 8	<b>Protection/Function</b> 1: Polarity protection (PP) 3: PP+3rd wire FG (Frequency Generator output) 4: PP+AR (Auto Restart) 5: PP+AR+3rd wire FG 6: PP+AR+3rd wire TC (Temperature Control) 7: PP+AR+3rd wire RD (Rotation Detection) 8: PP+AR+PWM (Pulse Width Modulation)	<b>Connector</b> 0: 4 pin daisy Chain 1: Lead wire 2: 2 pin 3: 3 pin 4: 4 pin 6: 6 pin 9: Other	<b>Frame Thickness</b> A: 10 mm B: 12 mm C: 15 mm D: 20 mm E: 25 mm F: 33 mm G: 38 mm M: 28 mm N: 17 mm H: 22 mm J: 09 mm