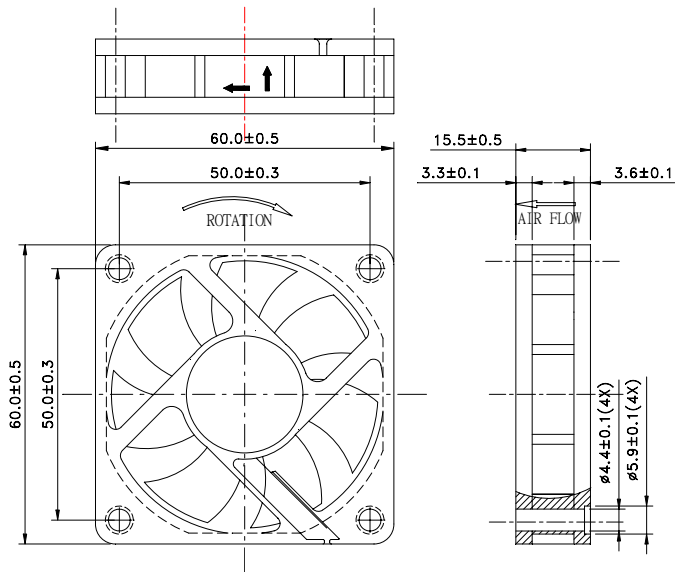
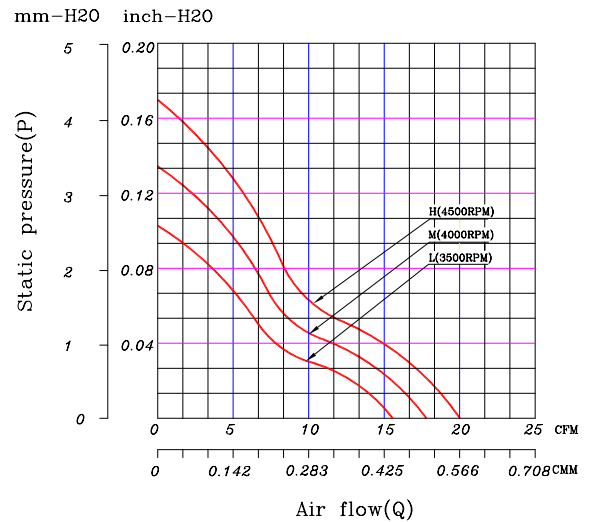



**60 x 60 x 15 mm Series**
**Rev I**
**Dimensions**

**Performance Curves**


Air exhaust over struts. Rotational direction CCW looking at rotor

Brushless DC Motor	Bearing Type
Housing: PBT 94V0	● CeraDyna A
Impeller: PBT 94V0	● CeraDyna C
Weight: 36 g	● 2-Ball
Impedance protected	● 1-Ball-1-Sleeve
Lead wire UL 1095 AWG 28	● Sleeve

Function options	
● Frequency Generator	● Auto Restart
○ Temperature Control	● Rotation Detection
○ PWM Control	

\* Safety Approval: CE, UL, TUV

\* All fans are with electronic protection against reverse polarity. The fan only operates when the polarity is correct.

**Specifications**

Model	Rated Voltage (VDC)	Rated Current (Amp)	Input Power (Watts)	Nominal Speed (RPM)	Airflow (CFM)	Static Pressure (inch-H2O)	Noise Level (dBA)
FD1260-A10XXC	12	0.18	2.16	4500	17.02	0.17	36.50
FD1260-A20XXC	12	0.14	1.68	4000	14.80	0.13	33.50
FD1260-A30XXC	12	0.12	1.44	3500	12.57	0.10	30.50
FD2460-A10XXC	24	0.10	2.40	4500	17.02	0.17	36.50
FD2460-A20XXC	24	0.09	2.16	4000	14.80	0.13	33.50
FD2460-A30XXC	24	0.07	1.68	3500	12.57	0.10	30.50

\* All readings are typical value at rated voltage.

 \* Please refer to **PART NUMBER SYSTEM** for bearing type and part number "XX" designation.

\* Specifications are subject to change without prior notice.

\* Please specify revision number when ordering.